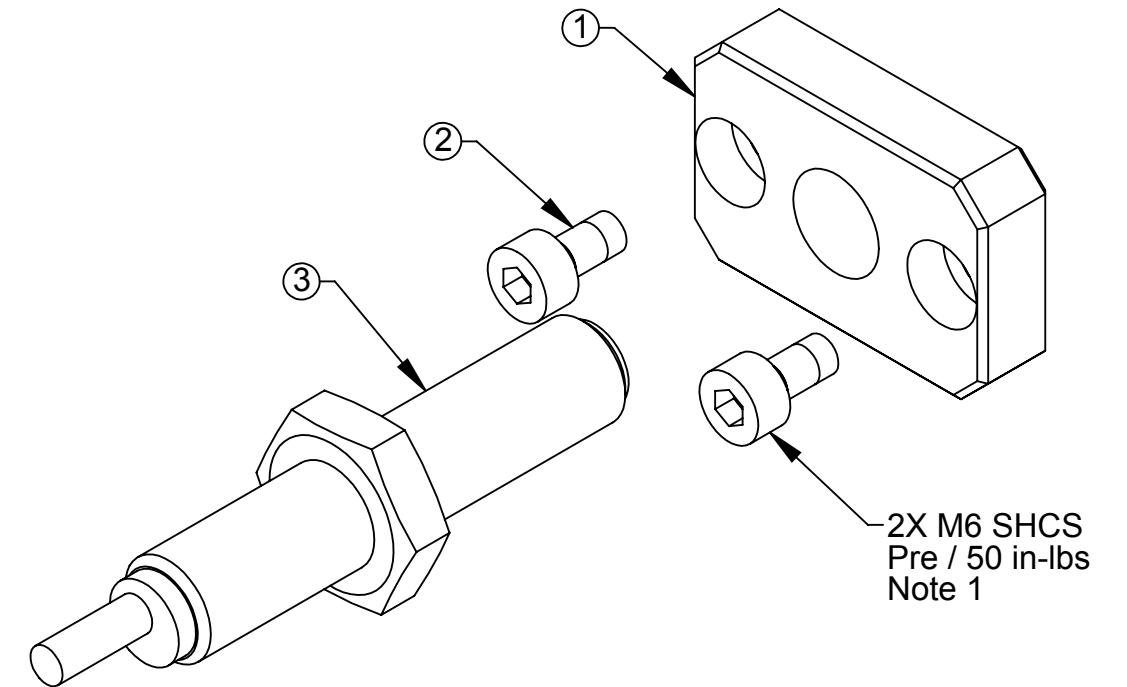
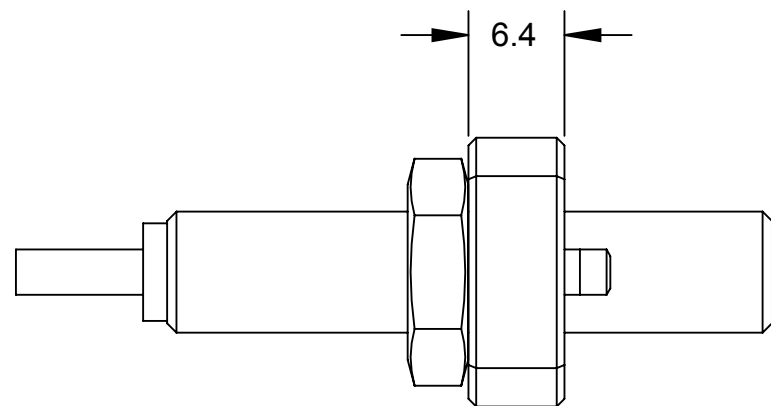
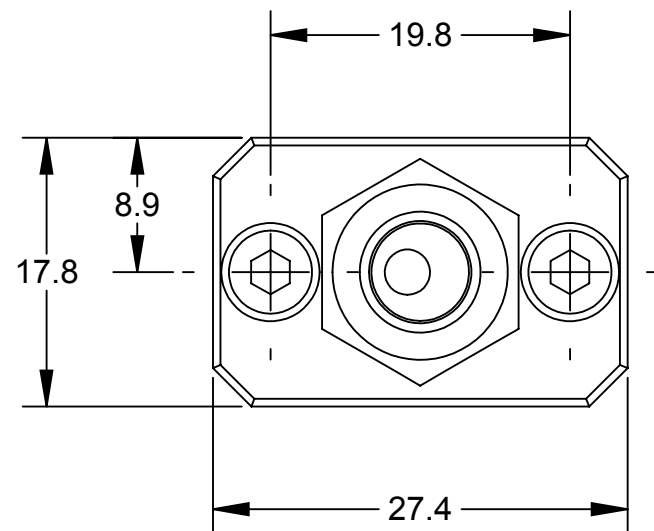
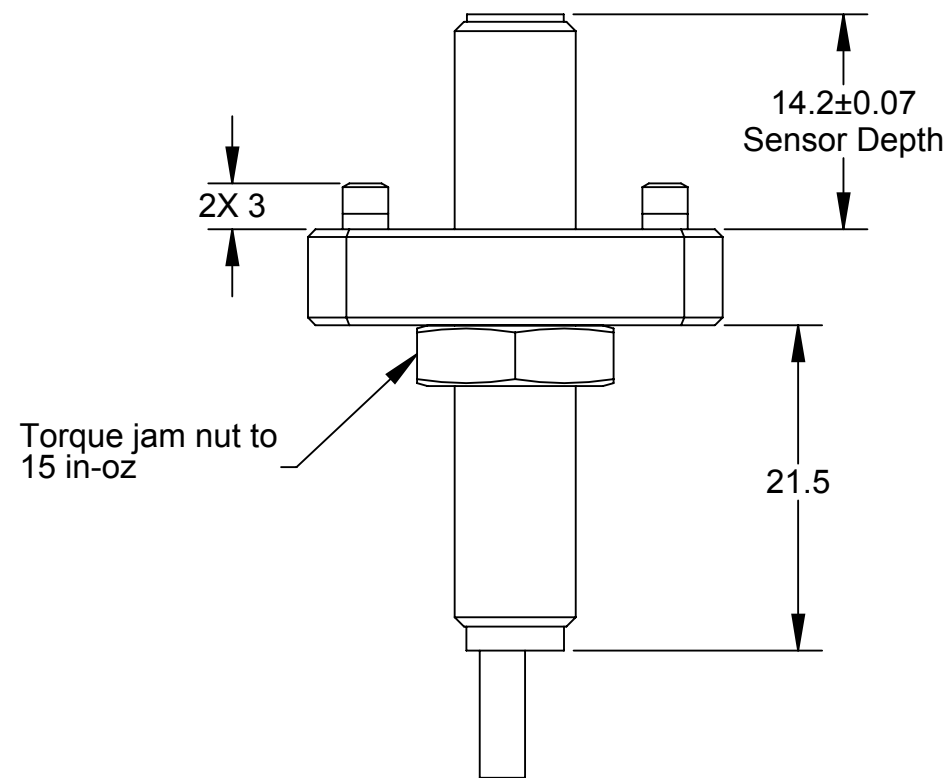



Rev.	Description	Initiator	Date
03	ECO 18291: Updated drawing to show sensor changes to 9120-TSM-SMA-8437.	TBC	9/12/2019



Notes:

1. Fasteners shipped loose.

ITEM NO.	QTY.	PART NUMBER	DESCRIPTION
1	1	9120-TSM-SMA-8437	TSM Sensor Module, NPN, 8mm Barrel
NOTES: UNLESS OTHERWISE SPECIFIED.		<p>1031 Goodworth Drive, Apex, NC 27539, USA Tel: +1.919.772.0115 Email: info@ati-ia.com Fax: +1.919.772.8259 www.ati-ia.com ISO 9001 Registered Company</p> <p>PROPERTY OF ATI INDUSTRIAL AUTOMATION, INC. NOT TO BE REPRODUCED IN ANY MANNER EXCEPT ON ORDER OR WITH PRIOR WRITTEN AUTHORIZATION OF ATI.</p>	
DO NOT SCALE DRAWING. ALL DIMENSIONS ARE IN MILLIMETERS.			
 3rd ANGLE PROJECTION		<p>AT&T INDUSTRIAL AUTOMATION</p>	
		<p>DRAWN BY: J. Winterroth, 9/23/13 CHECKED BY: D. Norton, 10/23/13</p>	
PROJECT # 130510-5 SHEET 1 OF 1		<p>TITLE TSM Sensor Module, NPN, 8mm Barrel</p>	
SCALE	SIZE	DRAWING NUMBER	REVISION
2:1	B	9630-20-TSM-SMA-8437	03